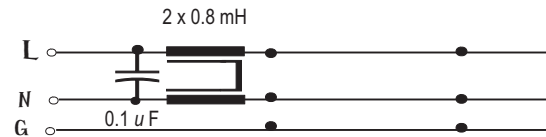
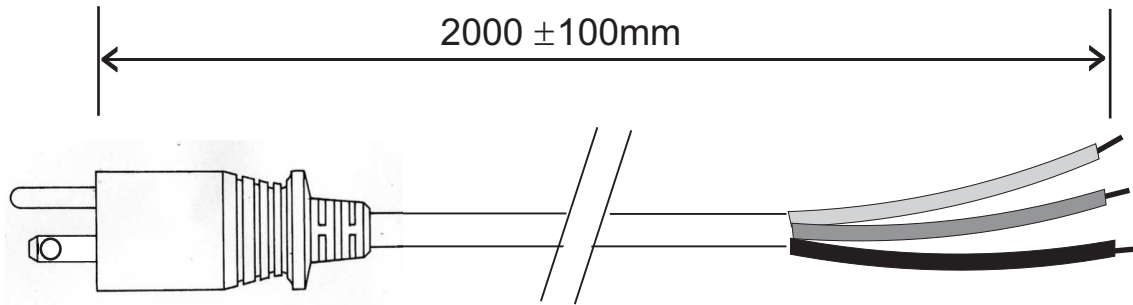
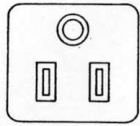
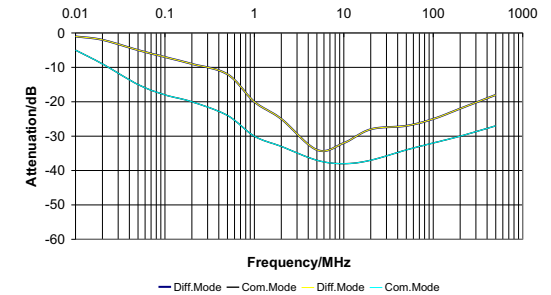


# EMC Cord NA 102

| Rev | Date    |
|-----|---------|
| 1   | 6/15/05 |
| 2   | 7/22/05 |
| 3   | 7/16/09 |
| 4   | 7/9/10  |
| 5   | 8/7/17  |



| Manufacturer P/N | Listed Cord (2) | Voltage        | I A | L mH | C <sub>x</sub> uF | C <sub>y</sub> nF | U <sub>test</sub> P/N kV dc | U <sub>test</sub> P+N/Gnd kV dc | Max. Leakage Current 125V-60Hz mA |
|------------------|-----------------|----------------|-----|------|-------------------|-------------------|-----------------------------|---------------------------------|-----------------------------------|
| NA 102           | Shielded 3AWG18 | 125V, 50-60 Hz | 10  | 0.8  | 0.1               | N/A               | 2.1                         | 2.1                             | 2 x 0.02                          |



## Construction

- 1 - Plug: 15 A, 125 V, 2 pole, 3 wire - plug according to UL 498 (Nema 5-15P) with built in X capacitor and common mode inductor.
- 2 - Cable:
  - Aluminum foil shielded cable SVT 3AWG18
  - Length 2 meters, flame test acc. to UL VW-1 and VDE 0742, part 804.
  - Color light grey (RAL 7035).
- 3 - Cable end: Ready made ends.



**EMC Eupen**

5033 Industrial Road., Bldg. 6  
Farmingdale, NJ 07727

732-919-1100 Tel 732-919-7196 Fax  
www.emceupen.com  
sales@emceupen.com

## Power Cord with Built In Filter Elements

**Drawing No.  
NA 102**

Style IMX 24

|                             |               |               |
|-----------------------------|---------------|---------------|
| Drawn By MCL                | Eng CK MK     | QA CK PH      |
| Date: 6/13/05               | Date: 6/15/05 | Date: 6/14/05 |
| UL / CSA E207817 / E-192178 |               | Approved Sig  |
| Customer P/N: TBD           |               | Sheet 1       |