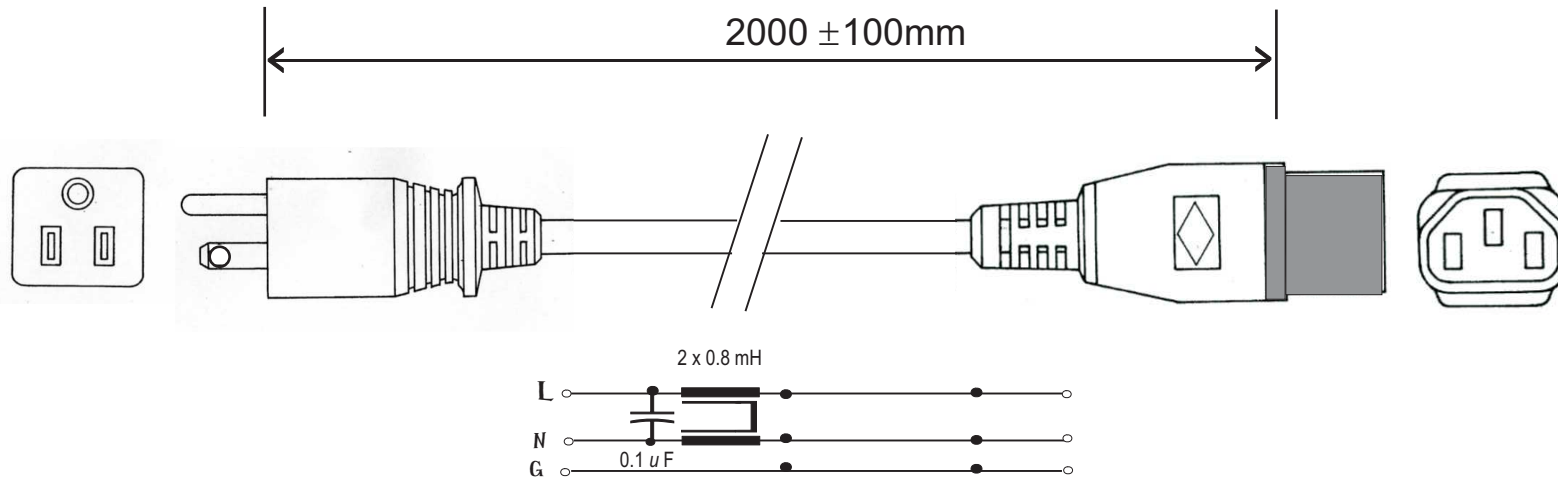
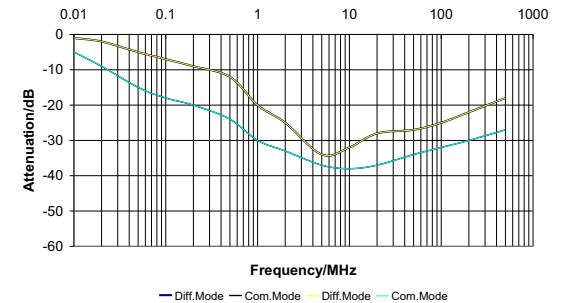


EMC Cord NA 100

Rev	Date
1	6/15/05
2	7/22/05
3	7/16/09
4	7/9/10
5	8/7/17



Manufacturer P/N	Listed Cord (2)	Voltage	I A	L mH	C _x uF	C _y nF	U _{test} P/N kV dc	U _{test} P+N/Gnd kV dc	Max. Leakage Current 125V-60Hz mA
NA 100	Shielded 3AWG18	125V, 50-60 Hz	10	0.8	0.1	N/A	2.1	2.1	2 x 0.02



Construction

- 1 - Plug: 15 A, 125 V, 2 pole, 3 wire - plug according to UL 498 (Nema 5-15P) with built in X capacitor and common mode inductor.
- 2 - Cable:
 - Aluminum foil shielded cable SVT 3AWG18
 - Length 2 meters, flame test acc. to UL VW-1 and VDE 0742, part 804.
 - Color light grey (RAL 7035).
- 3 - Cable end:
 - appliance coupler according to IEC 60320-C13



EMC Eupen

5033 Industrial Road., Bldg. 6
Farmingdale, NJ 07727

732-919-1100 Tel 732-919-7196 Fax
www.emceupen.com
sales@emceupen.com

Power Cord with Built In Filter Elements

Drawing No.
NA 100

Style IMX 04

Drawn By MCL	Eng CK MK	QA CK PH
Date: 6/13/05	Date: 6/15/05	Date: 6/14/05
UL / CSA E207817 / E-192178		Approved Sig
Customer P/N: TBD		Sheet 1