
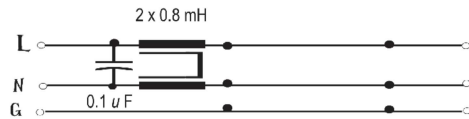
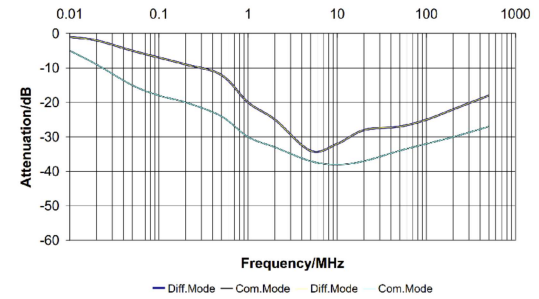


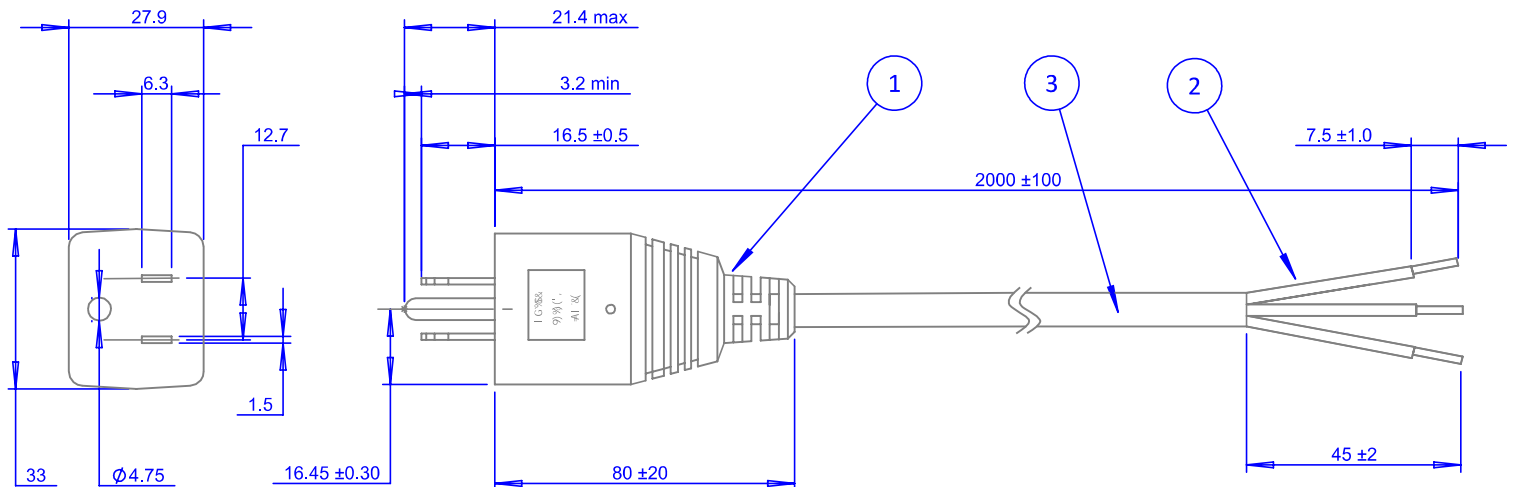
SPECIFICATION	
Listed cord (2)	Shielded 3AWG18
Voltage	125V, 50-60 Hz
I A	10
L mH	0.8
C <sub>x</sub> μF	0.1
C <sub>y</sub> nF	N/A
U <sub>test</sub> P/N kV dc	2.1
U <sub>test</sub> P+N/Gnd kV ac	2.1
Max. leakage Current 125V-60Hz mA	2x0.02
Certification	



CIRCUIT



TYPICAL ATTENUATION



CONSTRUCTION	
<b>1. PLUG:</b>	15 A, 125 V, 2 pole, 3 wire - plug according to UL 498 (Nema 5-15P) with built in X capacitor and common mode inductor.
<b>2. CABLE END:</b>	Ready made ends.
<b>3. CABLE:</b>	Aluminum foil shielded cable SVT 3AWG18.
<b>LENGTH:</b>	2 meters.
<b>COLOUR:</b>	Light grey (RAL 7035).
<b>FLAME TEST:</b>	According to UL VW-1 and VDE 0742, part 804.



**EMC Eupen**  
5033 Industrial Road., Bldg. 6  
Farmingdale, NJ 07727  
732-919-1100 Telephone  
sales@emceupen.com

Rev.	Date	Dwg no: <b>NA-102</b>		
1	6/15/05	Style no: <b>IMX 24</b>		
2	7/22/05	Desc: <b>EMC Power Cord with Built In Filter Elements</b>		
3	7/16/09	Drawn:	LRA	11/10/22
4	7/9/10	Checked:	WJW	12/13/22
5	8/7/17	Approved:	JWW	12/13/22
6	11/10/22	UL / CSA E207817 / E-192178		
		Sheet: 1	Size: Letter	Units: mm